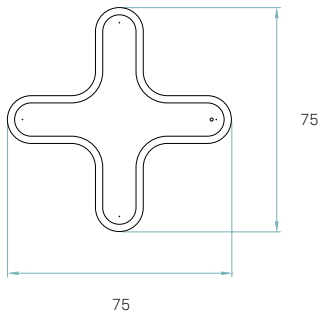
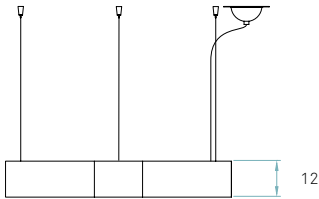


Fluorescent X-Club

by Burkhard Dämmer



REF. X SM 24 & 26
X-Club



References

- X SM
- X SM DIM
- X SM DIMRC

Certificates

- CE
- Class I
- 220 - 250V
- FSC
www.fsc.org
FSC® C110841
The mark of responsible forestry

Wood shade colours

- 20 Ivory White
- 21 Natural Cherry
- 22 Natural Beech
- 24 Yellow
- 25 Orange
- 26 Red
- 28 Blue
- 29 Grey
- 30 Turquoise
- 31 Chocolate
- 32 Pink

Components

- DIFF**
- Top diffuser**
Black or White
- Note:** The standard top diffuser is white. Black is also available if you want no upward light diffusion.
- Bottom diffuser**
Matt satin acrylic

- Metal canopy**
Brushed Nickel
ø 10 cm - disc ø 14 cm
- Electrical cable**
Transparent 2 m drop
- Steel cable**
4 x 2 m drop

Packaging

- Box size**
79 x 79 x 42 cm
- Box volume**
0,262 m³
- Weight**
Gross - 9,2 Kg
Net - 4,1 Kg

- T5**
- Linear Fluorescent**
2 x 24 W
(included)
- Energy class**
- A⁺⁺
- A⁺
- A
- B
- Tube included
- A⁺

- INFO**
- Ballast**
- TRIDONIC
1 unit - Ref. 22185150
- TRIDONIC
1 unit - Ref. 22185104
- BAG
1 unit - Ref. 10097296
+ Remote Control - DANLERS

Details

Input Voltage	Luminous Flux *	CRI	Watt.	Total Watt.	CCT	Lifetime (L70)
220 - 250V	1986 lm	85	2 x 24 W	48 W	3000 K	30000h

* Measurements taken using white shades, Veneer Ref: 20 Ivory White